



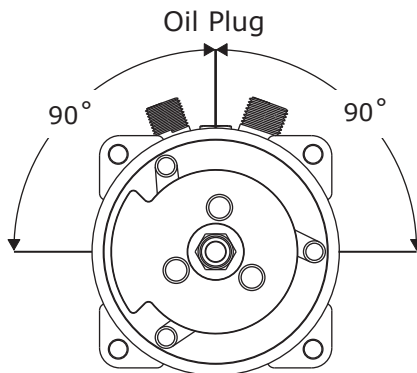
www.vintageair.com

## Important Compressor Information

### SanDen 508 Style Compressors

**NOTE:** Failure to follow these procedures may void all warranties.

- Do not connect compressor clutch wire until system is being charged with refrigerant. Since an A/C system relies on refrigerant to circulate lubricant, running the compressor without refrigerant may destroy the compressor and void the warranty.
- Proper compressor orientation is important. Sanden compressors may be rotated from vertical (oil fill plug at top) up to 90° in either direction (See illustration, below).



### SanDen 7B10 Style Compressors

**NOTE:** Failure to follow these procedures may void all warranties.

- Do not connect compressor clutch wire until system is being charged with refrigerant. Since an A/C system relies on refrigerant to circulate lubricant, running the compressor without refrigerant may destroy the compressor and void the warranty.
- These compressors do not have an oil fill plug. Please reference the block fitting mount face for clocking range (See illustration, below).

